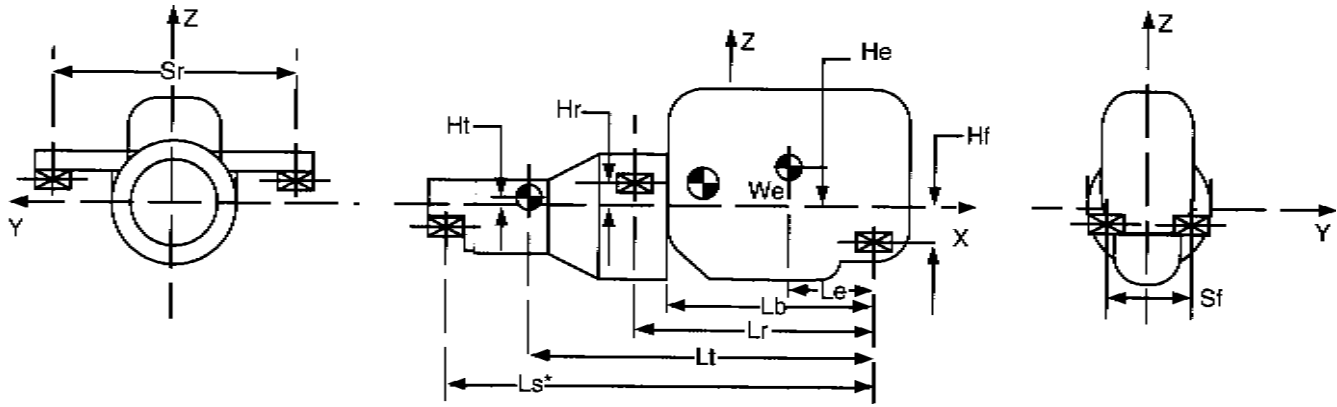


## DATA REQUIRED FOR ENGINE ANALYSIS



1. Engine Model & Manufacturer \_\_\_\_\_
2. Transmission Model & Manufacturer \_\_\_\_\_
3. Engine Weight (Wet, Including Accessories) We = \_\_\_\_\_
4. Transmission Weight (Wet) Wt = \_\_\_\_\_
5. Engine C.G. Height Above CSCL He = \_\_\_\_\_
6. Transmission C.G. Height Above/Below CSCL Ht = \_\_\_\_\_
7. Front Mount Location Above/Below CSCL Hf = \_\_\_\_\_
8. Rear Mount Location Above/Below CSCL Hr = \_\_\_\_\_
9. Engine C.G. Location Behind Front Mount Le = \_\_\_\_\_
10. Rear Face of Block Behind Front Mount Lb = \_\_\_\_\_
11. Rear Mount Location Behind Front Mount Lr = \_\_\_\_\_
12. Transmission C.G. Location Behind Front Mount Lt = \_\_\_\_\_
13. Rear Mounting Spread Sr = \_\_\_\_\_
14. Front Mounting Spread (Zero for Single Front Mount) Sf = \_\_\_\_\_
15. Engine Speed NI = \_\_\_\_\_  
NO = \_\_\_\_\_  
 - Idle  
 - Operating
16. Number of Cylinders and Arrangement (I-6, 90° V-8, etc.) \_\_\_\_\_
17. Two or Four Stroke \_\_\_\_\_
18. Tail Support Location Behind Front Mount (If Applicable) Ls = \_\_\_\_\_
- \*19. Moments of Inertia of Total System or for all Components Ixx = \_\_\_\_\_  
 (Engine, Transmission, etc.) Iyy = \_\_\_\_\_  
**(If These Are Not Available, a Drawing of the Engine /** Izz = \_\_\_\_\_  
**Transmission System is Required, Outline Dimensions Required.)** TO = \_\_\_\_\_
20. Output Torque (Including Highest Gear Multiplication) \_\_\_\_\_
21. Firing Sequence \_\_\_\_\_
22. Crankshaft Arrangement (# of Throws, Staggered Throw, etc) \_\_\_\_\_
23. Application:  on-highway  off-highway  severe duty (provide details of application) \_\_\_\_\_

\* A TAIL SUPPORT MOUNT IS NECESSARY IF STATIC BENDING MOMENT ON REAR FACE OF BLOCK (RFOB) IS GREATER THAN THE MANUFACTURER'S RATING.

**Photocopy and complete the questionnaire from catalog and mail or fax to:** Lord Corporation, Mechanical Products Division, Application Engineering, 2000 West Grandview Blvd., P. O. Box 10038, Erie, PA 16514-0038, Fax: 814-868-8960.